

DUO W1



ITEM DESCRIPTION

DUO W1 - a perfect solution for illumination of shallow and medium depth (80-160 mm) double-sided lightboxes. These modules ensure uniform and bright illumination on different materials, like acrylic glass or textile of up to 1.5-meter height LED boxes. Made from quality components, Crown DUO W1 show extreme endurance at harsh working conditions (IP66) and have a 5-year warranty with L80 for 50,000 hours.

APPLICATION

- Double-sided lightboxes with depth from 100 to 160 mm
- Maximum height of light box 1 500 mm
- Bus shelters, billboards

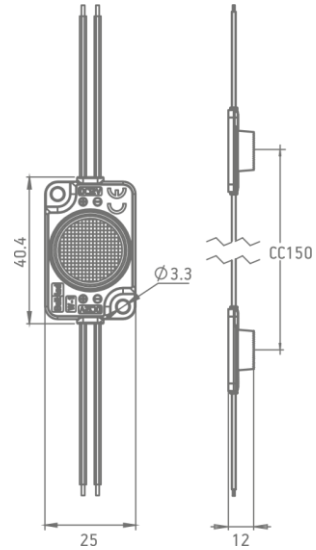
FEATURES & BENEFITS

- 5-year warranty
- Integrated CC controller
- IP66 protection class
- Special optimised elliptical lens 18 x 50
- CRI >80
- 12 V solution

GENERAL SPECIFICATIONS

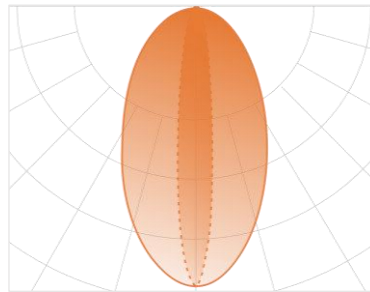
SUPPLY VOLTAGE	12 VDC
POWER	1.4 W
CRI	80
RECOMMENDED DEPTH	From 80 to 160 mm
CC DISTANCE	150 mm
BINNING	3 SDCM
OPERATING TEMPERATURE	-20 °C ~ +50 °C
STORAGE TEMPERATURE	-30 °C ~ +60 °C
STORAGE CONDITIONS	Relative humidity <60%
CERTIFICATION	CE, RoHS, UKCA and UL compliant
IP CLASS	IP 66
LIFETIME	L80 50,000 h
WARRANTY	5 years*

*Warranty is applied only and if storage, mounting and maintenance conditions, stated in the installation guide, are followed.



Dimensions are in mm

LIGHT DISTRIBUTION GRAPH



Beam angle: 18x50°

ORDERING INFORMATION

PRODUCT NAME	POWER, W	LUMEN OUTPUT, LM	COLOUR TEMP.
BMP-W1-DS865E1.4	1.4	130	6500 K
BMP-W1-DS840E1.4	1.4	130	4000 K
BMP-W1-DS830E1.4	1.4	118	3000 K

CHAIN	BAG	BOX
30 pcs (net weight: ~0.3 kg)	90 pcs (net weight: ~0.9 kg)	1260 pcs (net weight: ~12.6 kg)

© 2024, All rights reserved BaltLED, UAB. Specifications are subject to change without notice.