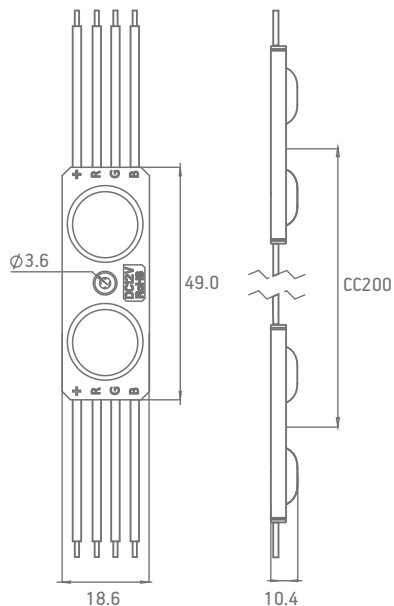




## GENERAL SPECIFICATIONS

SUPPLY VOLTAGE	12 VDC
POWER	0.72 W
RECOMMENDED DEPTH	From 80 to 160 mm
CC DISTANCE	200 mm
OPERATING TEMPERATURE	-25 °C ~ +60 °C
STORAGE TEMPERATURE	+5 °C ~ +70 °C
STORAGE CONDITIONS	Relative humidity <60%
LIFETIME	L70 25,000 h
WARRANTY	3 years*

\* Warranty is applied only and if storage, mounting and maintenance conditions, stated in the installation guide, are followed.



Dimensions are in mm

## ORDERING INFORMATION

SKU	POWER, W	LUMEN OUTPUT, LM	COLOUR / CCT	STATUS	SAMPLES
BMS-S2-02UH160RGB	0.72	14	RGB	IN STOCK	YES

## PACKAGING INFORMATION

CHAIN	BAG	BOX
25 pcs (0.338 kg)	100 pcs (1.350 kg)	600 pcs (8.100 kg)

# RGB MODULE



## APPLICATION

# LED



Best for 80 - 160 mm